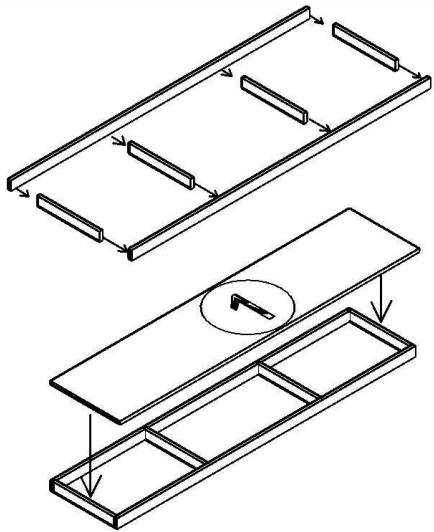
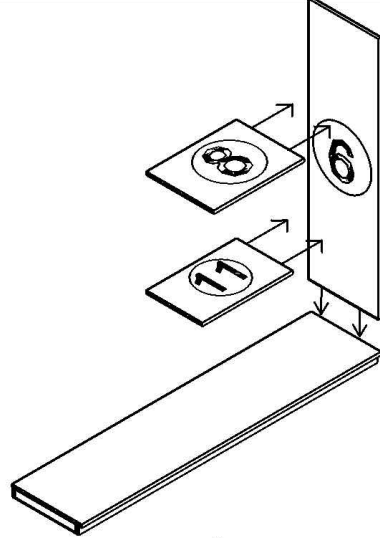


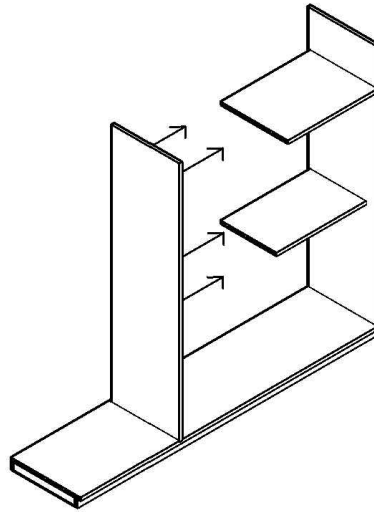
ADIM / STEP (1)



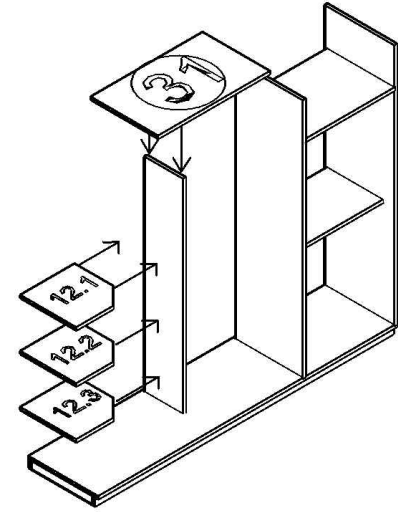
ADIM / STEP (2)



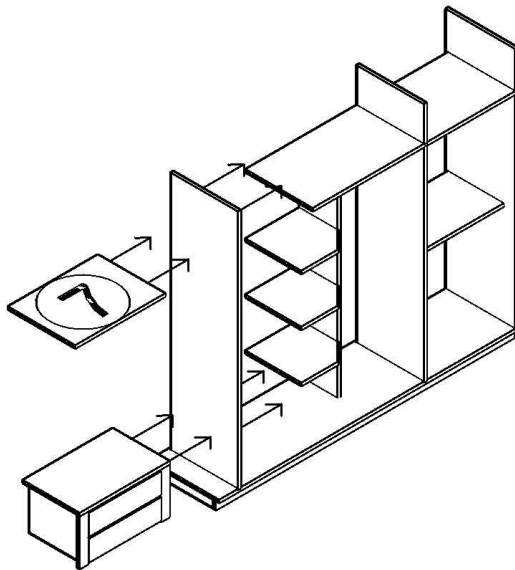
ADIM / STEP (3)



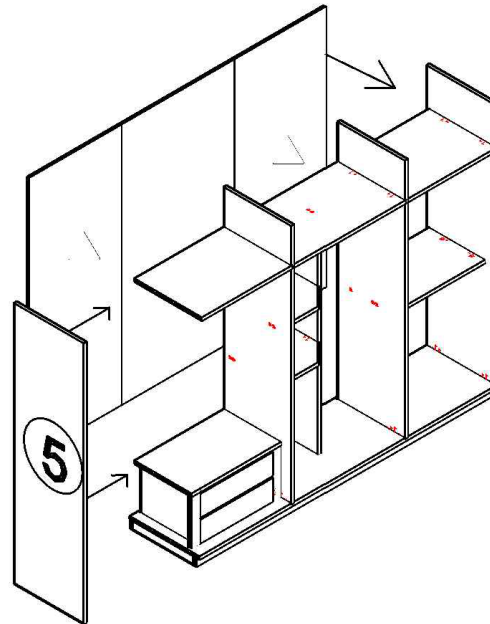
ADIM / STEP (4)



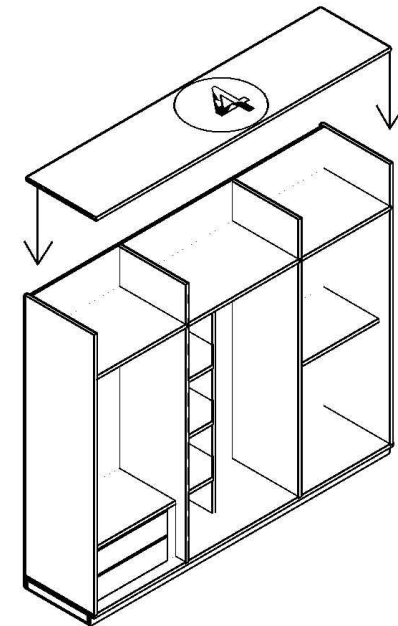
ADIM / STEP (5)



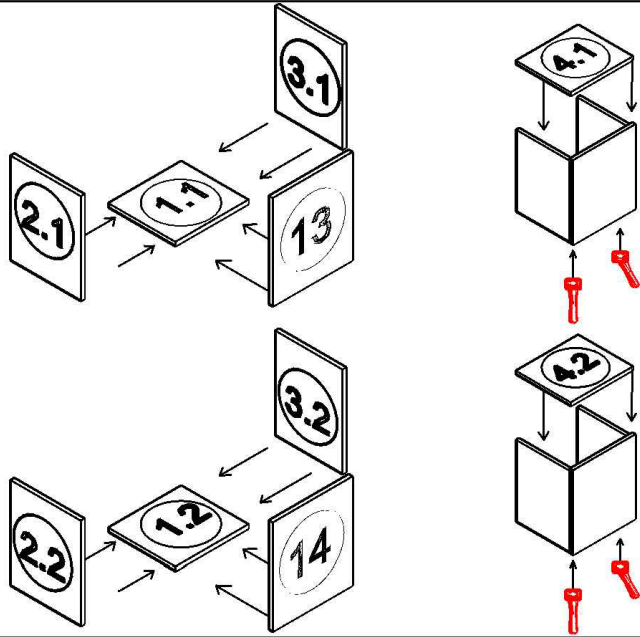
ADIM / STEP (6)



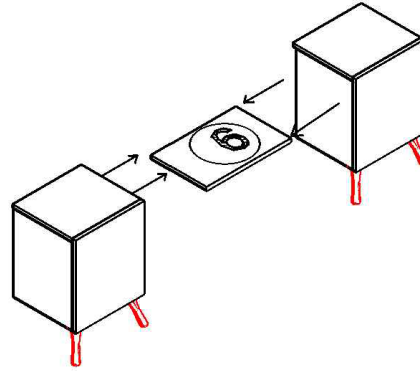
ADIM / STEP (7)



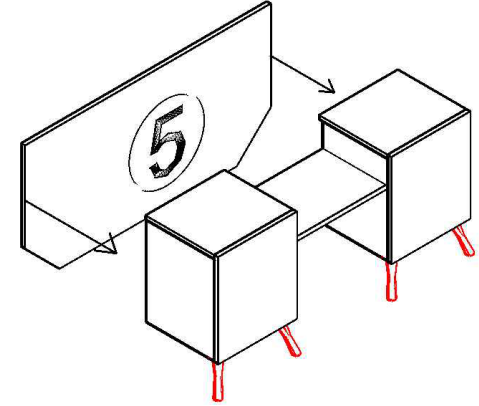
ADIM / STEP (1)



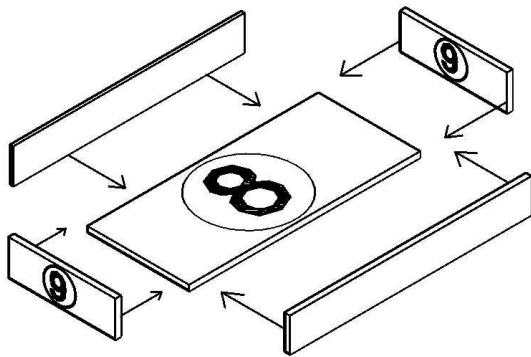
ADIM / STEP (2)



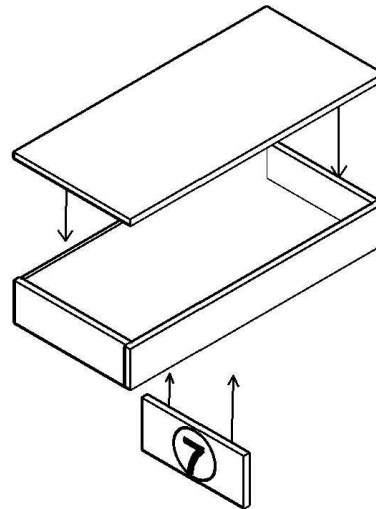
ADIM / STEP (3)



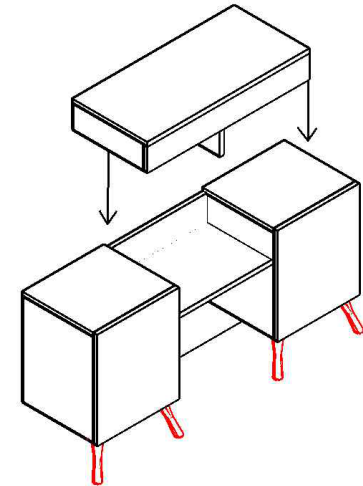
ADIM / STEP (4)



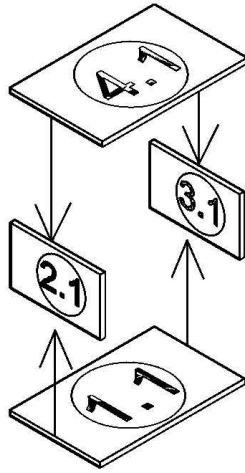
ADIM / STEP (5)



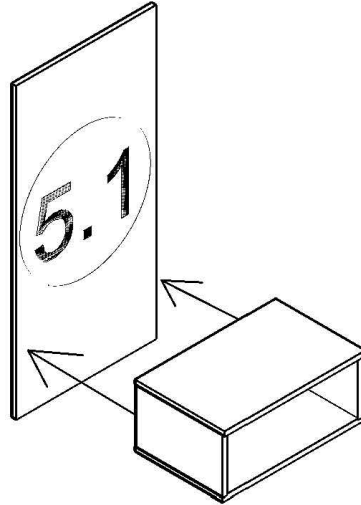
ADIM / STEP (6)



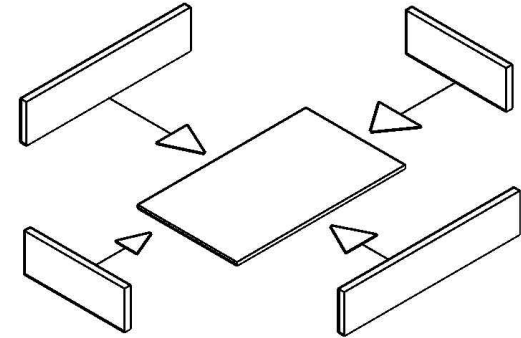
ADIM / STEP (1)



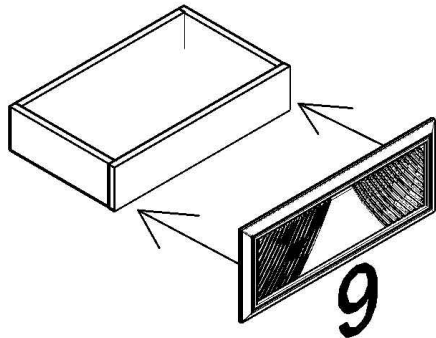
ADIM / STEP (2)



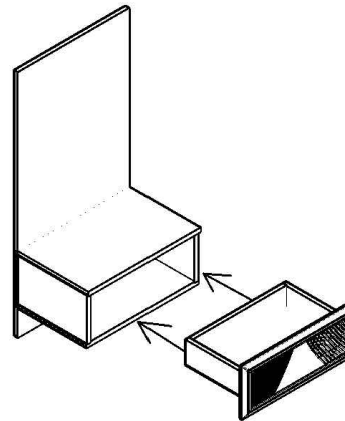
ADIM / STEP (3)



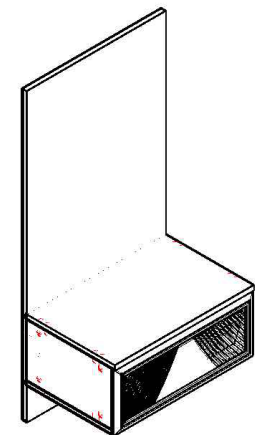
ADIM / STEP (4)



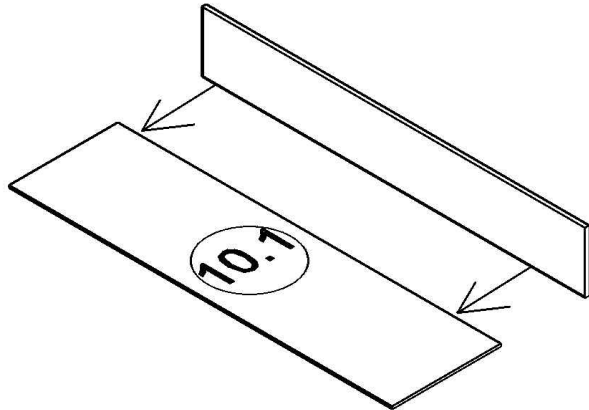
ADIM / STEP (5)



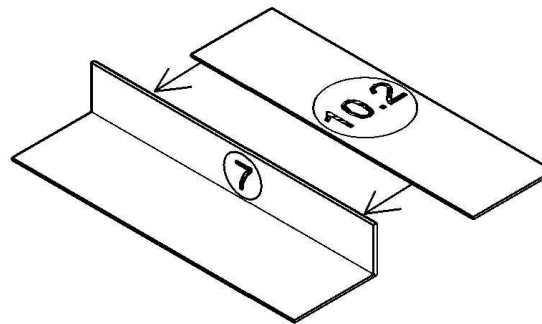
ADIM / STEP (6)



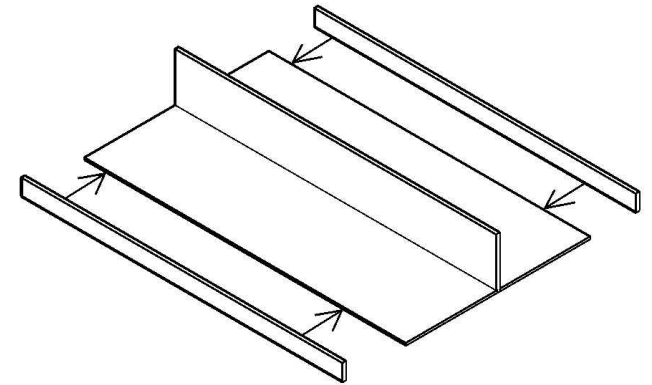
ADIM / STEP (1)



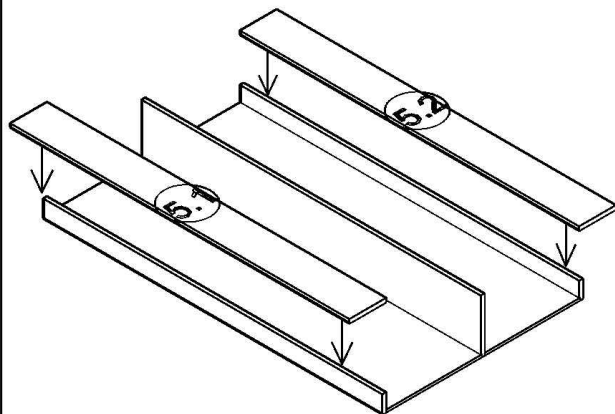
ADIM / STEP (2)



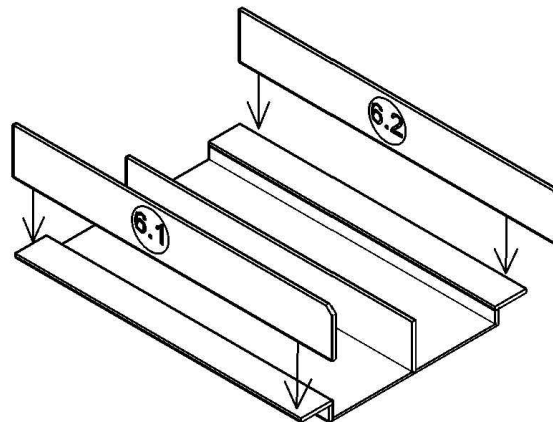
ADIM / STEP (3)



ADIM / STEP (4)



ADIM / STEP (5)



ADIM / STEP (6)

